



2PD1-5L

■ Description

The 2PD1-5L is a conventional fire alarm panel with a stylish wall-mount design supplied in 5 zone format. All detector circuits will be indicated with lighting red LEDs in alarm conditions and flashing in open circuit fault conditions. Slide-in paper labels are included for clear zone identification. The alarm panel has an alarm delay function on detector circuits to reduce false alarms, including a delay ON/OFF function.

2PD1-5L utilizes the latest modern technology to achieve a compact, sophisticated and highly reliable product. This panel is suitable for a wide range of environmental risks in industrial and commercial applications. E.g. Shops, offices, warehouses, guest houses, post-offices, mobile phone stations, etc.

2PD1-5L is provided with surge absorbers on the primary and secondary sides of the transformer to protect its circuit from the lightning and electrical-surge.

■ Features

- Alarm delay function
 - Heat Detector : 20 sec.
 - Smoke Detector : 60 sec.
- Alarm delay ON/OFF switch function
- Supervision of detector lines and fault conditions
- Energy saving technology for its running cost
- Extra slim design
- Light body using flame retardant ACS resin
- High reliability minimizes maintenance cost
- Equipped with surge absorbers
- Re-sounding system
- 1 output for zone alarm bells
- 1 output for signal transfer to external facility
- Easy wiring by Push-in terminals' one-touch connection

■ Remote Test Function

Remote test function is available on 2KW-P and 2KAD2-P detectors etc. with a dedicated testing device.



* Operating Image

2KW-P

- Distinguishes steam and smoke
- Automatic sensitivity compensation
- Suited for Shower rooms and Kitchens



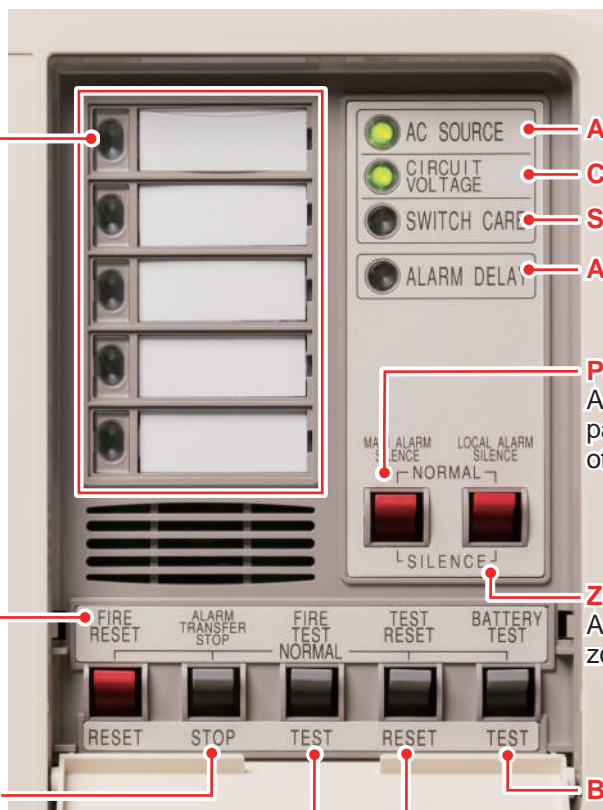
2KAD2-P

- Remote-test available
- Automatic sensitivity compensation
- Suited for Condominiums

■ Indicators on Operation Panel

Zone Alarm Indicators

Normal : Turn off
 Fire : Turn on (Red)
 Open Circuit : Flush (Red)



- AC SOURCE
- CIRCUIT VOLTAGE
- SWITCH CARR
- ALARM DELAY

- AC Power Source Indicator
- Circuit Voltage Indicator
- Switch Operation Indicator
- Alarm Delay Indicator

Panel Buzzer Silence Switch
 Activation of this switch when a panel buzzer is sounding, turns off the buzzer sounding

System Reset Switch

Activation of this switch resets the panel condition

Zone Alarm Silence Switch
 Activation of this switch makes zone alarms silence

Alarm Transfer Stop Switch

Fire Test Switch

Battery Test Switch

Test Reset Switch

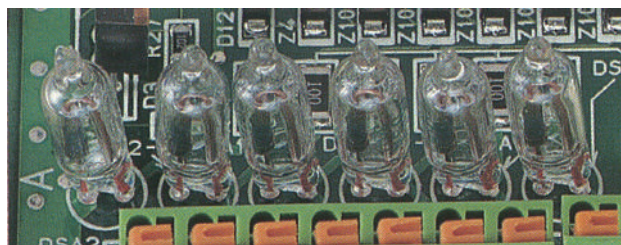
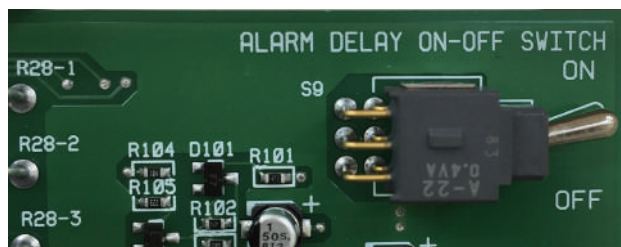
■ Functions

Alarm Delay ON/OFF switch

This switch can make the alarm delay function ineffective for installation and maintenance work.

Surge absorbers

Lightning surge protection devices are provided as standard to the primary and secondary sides of a transformer to protect semiconductor parts.

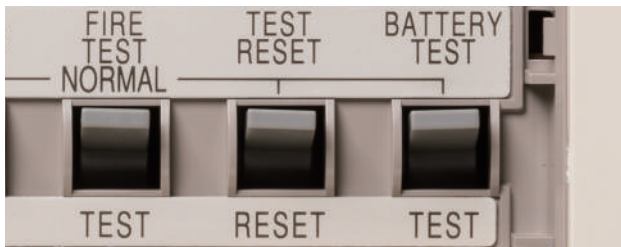
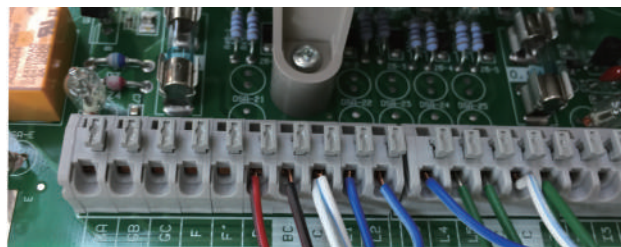


Push-in type terminals

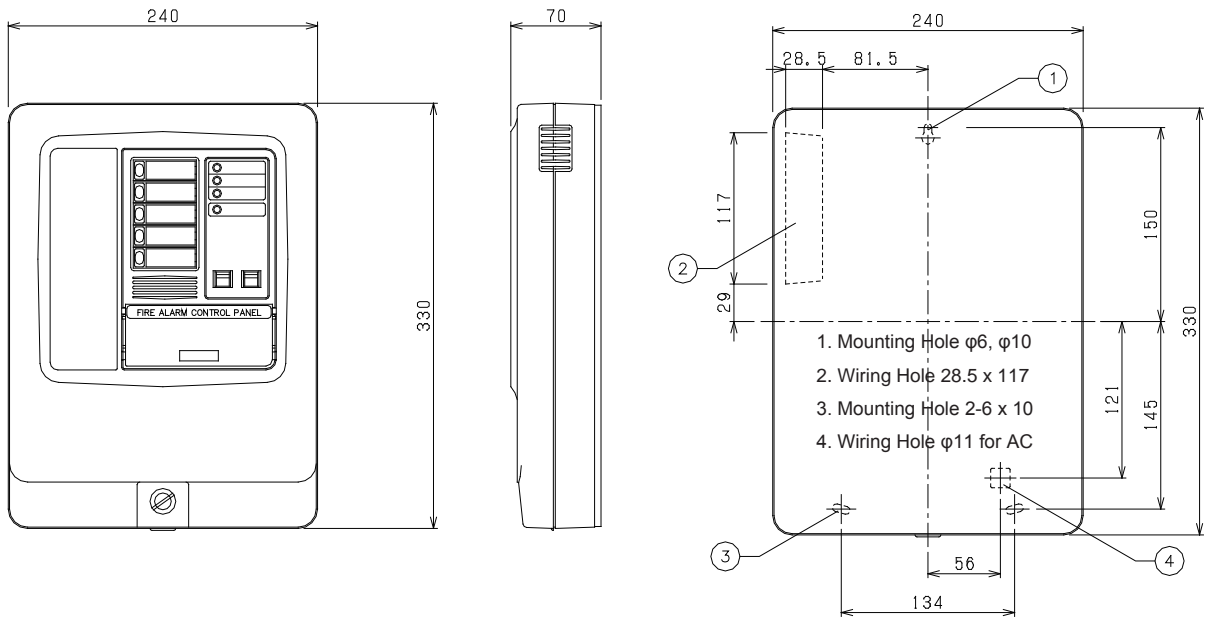
Push-in type terminals are employed to improve efficiency at installation.

Test Reset Switch

To aid commissioning and assist routine maintenance works, an auto-resetting "one man walk test" is available with the activation of Test Reset switch.



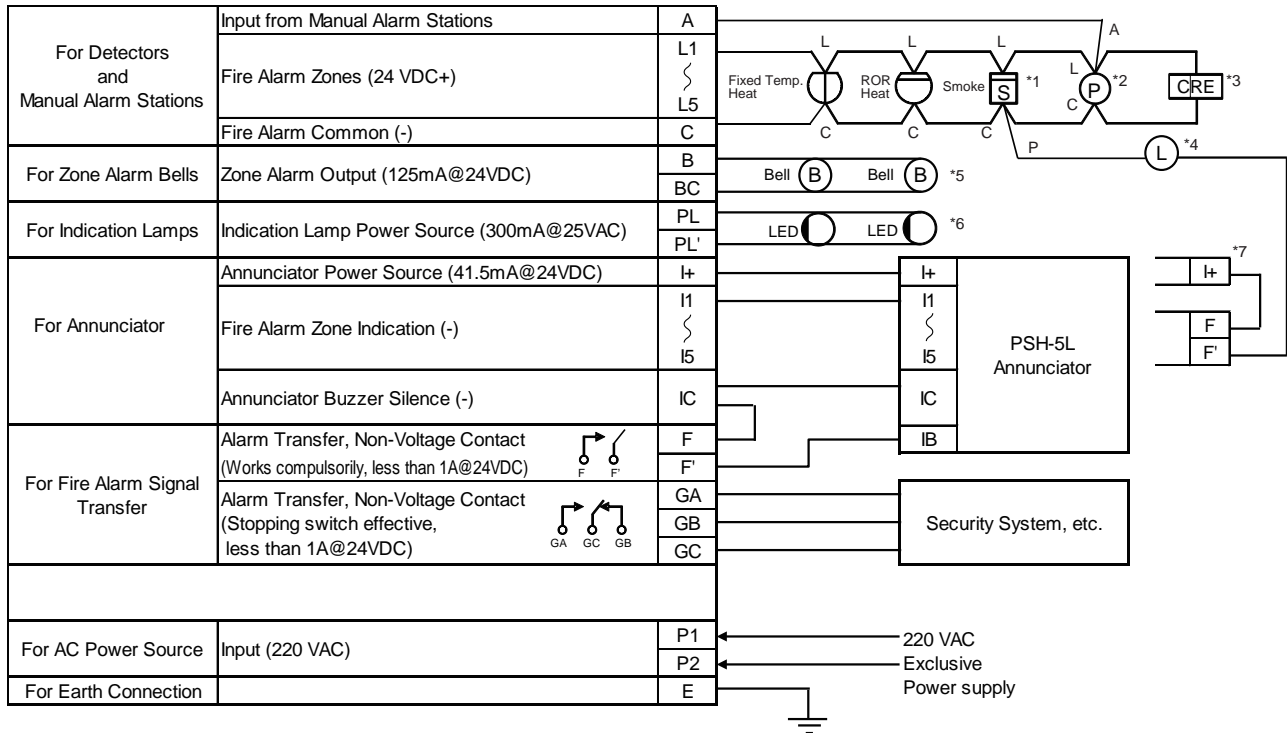
■ Dimensions



Mounting Layout (Front view)

■ Typical Wiring Diagram

2PD1-5L Fire Alarm Control Panel



*1: Max. number of smoke detectors is 20 pcs. per zone.

*2: P = Manual Alarm Station

*3: The CRE is a dedicated end-of-line device which comes with the 2PD1-5L fire alarm control panel.

*4: Make sure to be used F-F' terminals when using Remote indication lamps.

*5: Max. number of bells is 12 pcs. when using the motor bells rated at 10 mA, 24 VDC.

*6: Max. number of indication lamps is 30 pcs. when using the indication lamps rated at 9 mA, 24 VDC/AC.

*7: When using Annunciator, any Remote indication lamp with this wiring is not available.

■ Specifications

Specifications	2PD1-5L									
AC Power	220 VAC ±10% 50/60 Hz									
Standby Battery	24VDC / 0.225 Ah, Sealed Type Ni-Cd battery									
Nominal Delay Time	60 sec. (For smoke detector: 60 sec. For heat detector: 20 sec.)									
Dimensions	W 240 x H330 x D 70 mm									
LED Indicators	Zone alarm, AC power, Circuit voltage, Switch operation, Alarm delay									
Functions	Circuit voltage monitoring, Cable break monitoring									
External Line Resistance	50 Ω and less									
End of Line Device	CRE									
Panel Alarm Sounder	Piezoelectric buzzer, automatic re-sounding type									
Fire Alarm Transfer	<table border="0"> <tr> <td></td> <td>Common Fire Alarm : F-F' (Normally-Open)</td> <td>Contact Capacity</td> </tr> <tr> <td></td> <td>Fire Alarm : GA-GB-GC (Form-C)</td> <td>1 A 24 VDC</td> </tr> <tr> <td></td> <td></td> <td>1 A 24 VDC</td> </tr> </table>		Common Fire Alarm : F-F' (Normally-Open)	Contact Capacity		Fire Alarm : GA-GB-GC (Form-C)	1 A 24 VDC			1 A 24 VDC
	Common Fire Alarm : F-F' (Normally-Open)	Contact Capacity								
	Fire Alarm : GA-GB-GC (Form-C)	1 A 24 VDC								
		1 A 24 VDC								
Output Current for Zone Alarm Bells	125 mA @ 24 VDC (B-BC)									
Output Current for Indication Lamps	25 VAC 300 mA (PL-PL')									
Number of Connectable Detectors	Standard type Smoke detector: Max. 20 /zone Heat detector: As required Thermistor type Heat detector: Max. 24 /zone, Total 12 x zones									
Connectable Manual Alarm Station	2ME1A 2MH1A									
Connectable Annunciator Panel	Model PSH x 1 unit									
Operating Temperature	0°C to +40°C									
Primary Materials	Flame retardant resin									
Body Color	JPMA Color Code A22-90B Semi-gloss (off-white)									

Distributed By

All specifications are subject to change without any notice.
For more information, contact with NITTAN.

NITTAN

54-5, 1-chome, Sasazuka,
Shibuya-ku, Tokyo151-8535, Japan
TEL:81-3-5333-7021 FAX:81-3-5333-8615