



Description

The 2SL-LHCW conventional rate-of-rise heat detector is designed to operate on a rapid rise in environmental temperature, resulting in early fire detection. Its electronic parts are sealed up with resin so that it offers the features both acid and alkali proof as well as water proof.

Therefore, the 2SL-LHCW is ideal to be installed in areas where corrosive elements exist. Battery rooms, Chemical storages and Chemical production plants are common places to be installed.

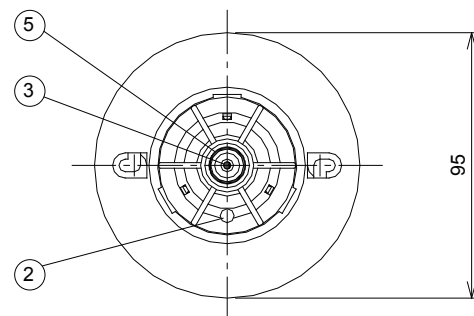
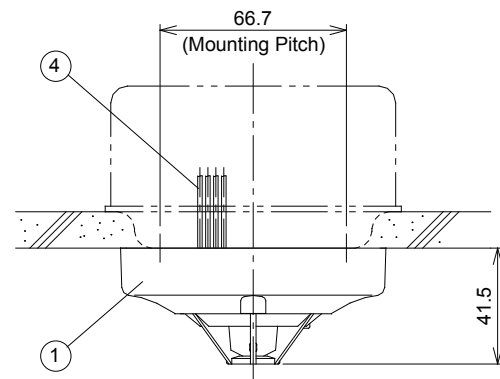
Specifications

Specifications	2SL-LHCW
Approval Number*	16-5
Sensitivity	Class 2 (standard)
Type	Rate-of-Rise, Acid-Proof, Alkali-Proof, Water-Proof Type
Detector Element	Thermistor
LED Indicator	Red LED illuminates and latches in an alarm condition
Rated Voltage	24 VDC
Operating Voltage	14.5 - 32 VDC
Rated Current	65 mA
Quiescent Current	40 μ A
Ambient Installation Temperature	-10°C to +50°C
Detector Base	Not required (Lead wires provided)
Mounting Box	JIS C 8340 Outlet Box
Dressing Plate	JIS C 8340 Circular Hole Plate
Dimensions	ϕ 95 mm x H 41.5 mm
Weight	60 g
Label	Japanese
* Approved by Japan Fire Equipment Inspection Institute	

Features

- Conventional Rate-of-Rise heat detector, Acid, Alkali and Water proof
- Well suited for areas where corrosive elements exist
- Suitable to Battery rooms, Chemical storages and Chemical production plants
- LED indicator lights up and latches to show which detector has activated
- Connections are non-polarized - reduces wiring mistakes
- Wide operating voltage available to suit most control panels
- Low power consumption 40 μ A (idle mode)

Dimensions



- ① Main Body
- ② Operation Indicator
- ③ Thermistor
- ④ Lead Wire
- ⑤ Classification Mark