



### ■ Description

The CKLD-KPT is a conventional beam type smoke detector that comprises of an infra-red transmitter and a receiver.

The signal generated in the transmitter and received by the receiver is analyzed for the presence of smoke. The detector determines an alarm condition when a predetermined level is reached.

The detector operates within a range of 5m to 100m. Lateral detection may be up to 7m on either side of the beam, providing a maximum total coverage area of up to 1,400m<sup>2</sup> (14m x 100m). The detector is suitable for detecting smoke in large open areas with high ceilings such as Warehouses, Hotel Atriums, Industrial Plants or School Gymnasiums, where the smoke from a fire could not easily reach to the ceilings in early stage of the fire.

The detector automatically compensates for slow changes of light intensity caused by environmental effects like a gradual contamination of lenses and a misalignment of the beam in order to avoid false alarms.

### ■ Advantages

- Suitable for open areas with high ceilings
- Reduce false alarms caused by transient smoke such as cigarette smoke
- More sensitive to spreading smoke than spot type smoke detectors

### ■ Features

- 5m to 100m protection range
- 3 selectable alarm thresholds: 30%, 40% or 65%
- Compact housing fitting surroundings
- Easy alignment procedure via optical sights and signal strength indicators
- 0.76 mA low current consumption
- Adjustable light intensity
- 14.5 VDC to 30 VDC operation
- Automatic drift compensation
- Alarm signal (at least 30% of obscuration)
- Trouble signal (50% of original intensity level)
- Remote test station option
- 3 years warranty

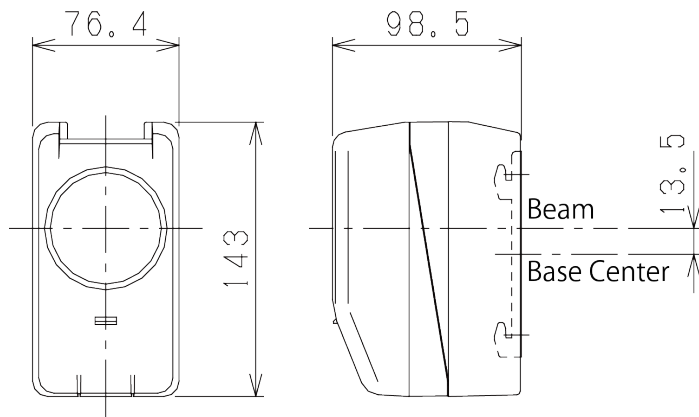
### ■ Remote Station

A dedicated remote station, LP04 or LP05, is available for testing and monitoring of the detector. The remote station is usually installed at ground level where is easy to access so that the operation test shall be conducted easily without disruption of the site. Furthermore, the light intensity level can be monitored for system diagnostics from the remote station by using a multi-meter.

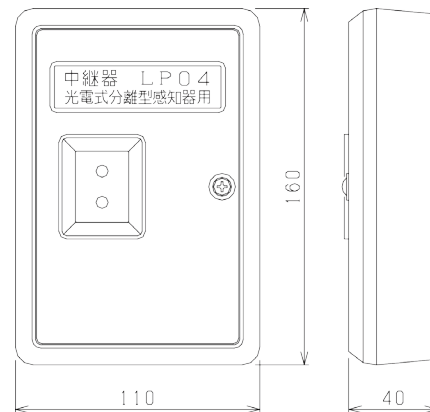


## ■ Dimensions

### CKLD-KPT



### LP04 / LP05



## ■ Applications

- Open areas. (Warehouses, Hotel Atriums, Industrial Plants and School Gymnasiums)
- Public areas where cosmetics are of prime importance and detector heads need to be small and unobtrusive. (Shopping Malls, Libraries, Theaters and Churches)

## ■ Specifications

Specifications	CKLD-KPT	LP04	LP05
Description	Beam Type Smoke Detector	Remote Station	Remote Station
Rated Voltage	24 VDC	24 VDC	24 VDC
Operating Voltage	14.5 VDC to 30 VDC	24 VDC	24 VDC
Alarm Current	L-C:65 mA K-KC:65 mA	Lin-Cin:65 mA +24V-24G:65 mA	Lin-Cin:65 mA LD+-Cin:6 mA
Standby Current	760 $\mu$ A	Lin-Cin:0 mA +24V-24G:15 mA	Lin-Cin:0.8 mA LD+-Cin:0 mA
External Loop Resistance	N/A	50 ohm or less	50 ohm or less
Number of Detectors	N/A	3 units	1 units
Range	5 m to 100 m	N/A	N/A
Sensitivity	5m-15m: 30% 15m-40m: 40% 40m-100: 65%	N/A	N/A
Adjustment Angle	+/-10 degrees horizontal and vertical	N/A	N/A
Operating Temperature	-10°C to +50°C	-10°C to +50°C	-10°C to +50°C
Relative Humidity	0% to 95% RH, non-condensing	0% to 95% RH, non-condensing	0% to 95% RH, non-condensing
Body Material	Flame Retardant ABS	Flame Retardant ABS	Flame Retardant ABS
Body Color	A22-90B (Ivory)	Ivory	Ivory
Weight	Transmitter: 485 g (with Base) Receiver: 506 g (with Base)	309 g	284 g

Distributed By

All specifications are subject to change without any notice.  
For more information, contact with NITTAN.

**NITTAN**

54-5, 1-chome, Sasazuka,  
Shibuya-ku, Tokyo151-8535, Japan  
TEL:81-3-5333-7021 FAX:81-3-5333-8615