

TECHNICAL DATASHEET

Part Numbers and Product Order Codes:-

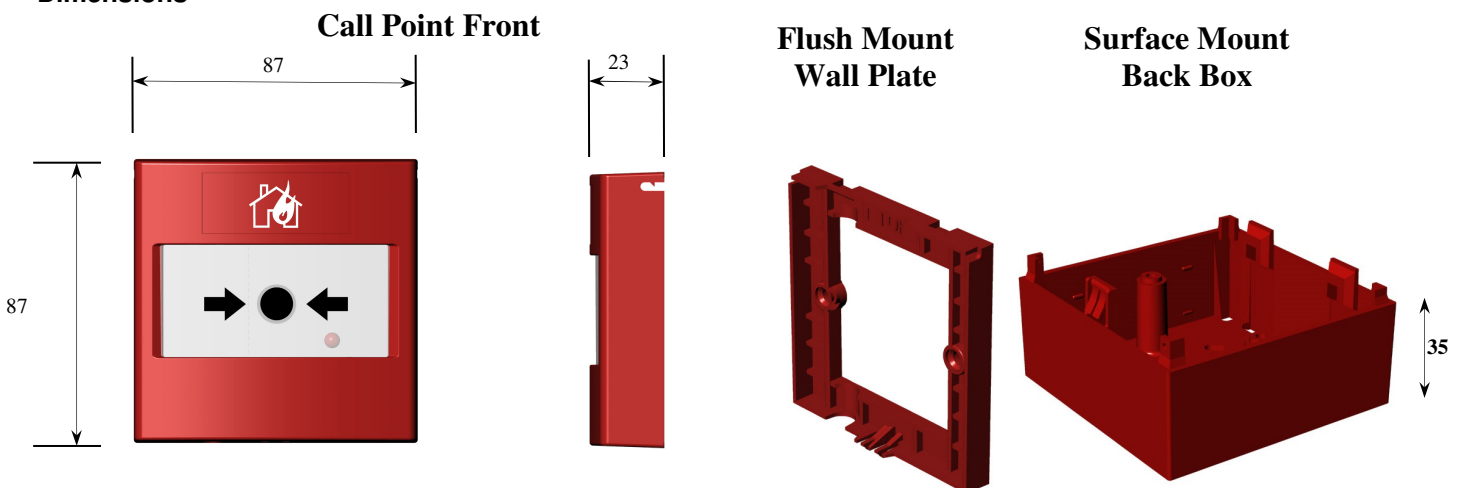
Part Number	- - - - -	-	EV-MCP2-IP24
Description	- - - - -	-	Analogue Evolution Type A Indoor Manual Call Point
Computer Reference Number	- - - - -	-	F16N82201

Technical Specifications:-

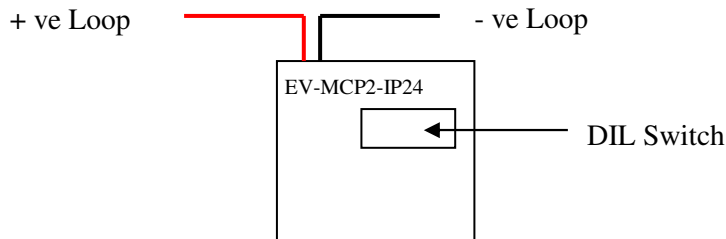
Operation Method	- - - - -	-	Non Frangible, Resettable
Operating Element	- - - - -	-	Microswitch
Operating Voltage	- - - - -	-	20V d.c. to 35V d.c.
System Voltage	- - - - -	-	35V d.c.
Quiescent Current	- - - - -	-	200µA
Alarm Current	- - - - -	-	2mA (LED ON)
Operating Temperature	- - - - -	-	- 10°C to + 55°C
Storage Temperature	- - - - -	-	- 25°C to + 70°C
Charging Time	- - - - -	-	1 minutes
Relative Humidity	- - - - -	-	≤ RH95% non-condensing.
I.P. Protection Rating	- - - - -	-	IP24
Addressing Method	- - - - -	-	8 Way DIL switch.
Material	- - - - -	-	POM / Polycarbonate
Dimensions	- - - - -	-	87mm x 87mm x 23mm
Back Box Depth	- - - - -	-	Surface or Flush shall be 35mm
Mass	- - - - -	-	115gms
Connections	- - - - -	-	Flying Leads
CE Conformity	- - - - -	-	EN54-11:2001/A1:2005
CPR Number	- - - - -	-	2531-CPR-232.1690
DoP Number	- - - - -	-	1690

All wiring must conform to the current edition of IEE Wiring regulations and BS5839 Part 1
All loop Cable Screens shall be connected together, but must be Isolated from Ground. Cable Screens shall be connected to Earth Ground within the Control Panel ONLY.

Dimensions



Connections



NOTE: Surface or Flush mount Back Box Shall be 35mm