



# Type A Indoor Manual Call Point with Isolator

## **EV-MCP2-SCI-IP24**

Part no. F16-82200

### General Description

EV-MCP2-SCI-IP24 is a Type A Indoor Manual Call Point, with integral –ve line Short circuit isolator compatible with Evolution analogue addressable system devices.

The Manual Call Point comprises a Non Frangible, Resettable, operating face with an LED provided to Indicate Alarm active condition.

The device is provided with a Surface mount Backbox and an adaptor plate to allow flush mounting.

The address may be set using DIL switch on the Device.

The Short Circuit Isolator will protect the system, whilst allowing the device to continue communication from the opposite side. The isolator will self-reset when the fault clears.

### Approvals

|                 |  |
|-----------------|--|
| Test Standards  | EN54-11: 2001 + A1: 2005<br>EN54-17: 2005 / AC: 2007 |
| CPR Certificate | 0905-CPR-00440                                       |
| DoP Number      | 00440  |

### Notes

Not compatible with Advanced MxPro4 (Mx4000) Panel. Please use Non-SCI model.

It is not possible to mix +ve and -ve isolator styles on a system.

Surface or Flush mount Back Box Shall be 35mm Deep.

### Data

|                          |                             |
|--------------------------|-----------------------------|
| Manual Call Point Type   | Type A Indoor               |
| Operating Method         | Non Frangible, Resettable   |
| Operating Element        | Microswitch                 |
| Operating loop voltage   | 20 to 38 Vdc                |
| Quiescent current        | 200 $\mu$ A                 |
| Alarm current            | 2 mA (LED On)               |
| Current in short circuit | 13 mA                       |
| Operating temperature    | -25°C to +70°C              |
| Storage temperature      | -25°C to +70°C              |
| Relative humidity        | < RH 95% (Non-condensing)   |
| Cable terminals          | 0.75 to 2.5 mm <sup>2</sup> |
| Material                 | PC                          |
| Weight                   | 115 g                       |
| Dimensions Flush         | 87mm x 87mm x 23mm          |
| Dimensions Surface       | 87mm x 87mm x 58mm          |
| I.P. Protection Rating   | IP24                        |

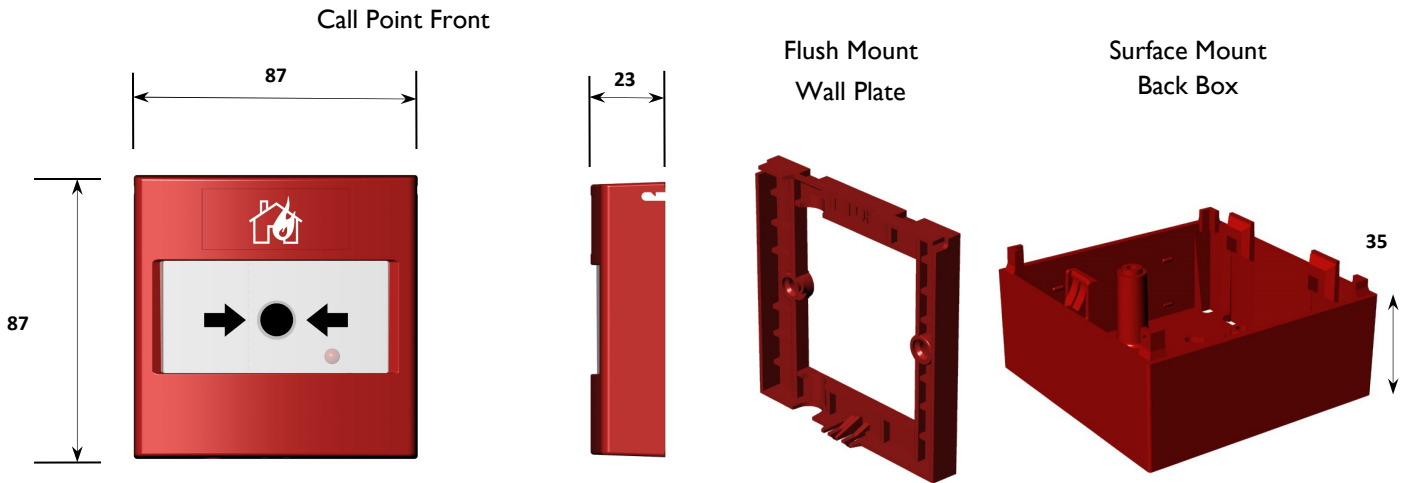
### Short Circuit Isolator

|   |                |
|---|----------------|
| Minimum sw open voltage (V <sub>so min</sub> )  | 9 Vdc          |
| Maximum sw open voltage (V <sub>so max</sub> )  | 11 Vdc         |
| Minimum sw close voltage (V <sub>sc min</sub> ) | 10 Vdc         |
| Maximum sw close voltage (V <sub>sc max</sub> ) | 13 Vdc         |
| Maximum line current (I <sub>c max</sub> )      | 800 mA         |
| Maximum switching current (I <sub>s max</sub> ) | 1500 mA        |
| Maximum leakage current (I <sub>l max</sub> )   | 13 mA          |
| Maximum switch resistance (Z <sub>c max</sub> ) | 150 m $\Omega$ |

**All wiring must conform to the current edition of IEE Wiring regulations and BS5839 Part I**

**All loop Cable Screens shall be connected together, but must be Isolated from Ground. Cable Screens shall be connected to Earth Ground within the Control Panel ONLY.**

## Dimensions



**NOTE:** Surface or Flush mount Back Box Shall be 35mm

## Connections

