

TECHNICAL DATASHEET

Part Numbers and Product Order Codes:-

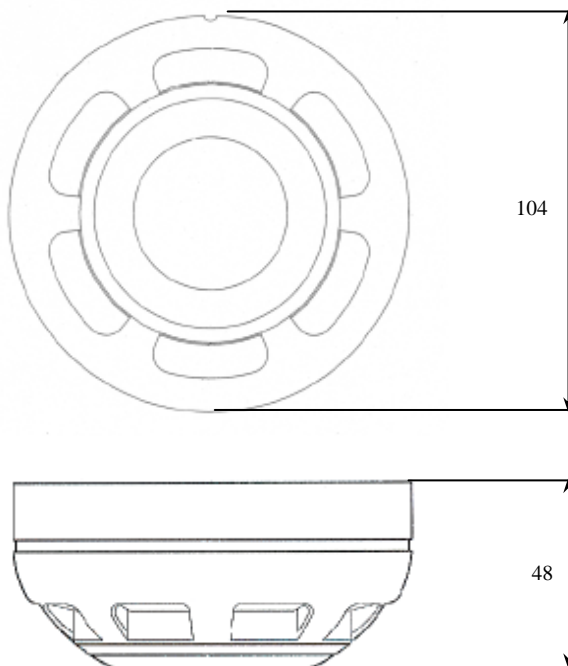
Part Number	- - - - -	EV-P
Description	- - - - -	Analogue Evolution Optical Sensor.
Computer Reference Number		
Nittan Standard	- - - - -	F14_82100

Technical Specifications:-

Sensor Method	- - - - -	Light Scatter
Sensor Element	- - - - -	IR Diode
Operating Voltage	- - - - -	20V d.c. to 35V d.c.
System Voltage	- - - - -	35V d.c.
Quiescent Current	- - - - -	200µA
Alarm Current	- - - - -	5mA
Current for external remote LED indicator	- - - - -	2mA
Operating Temperature	- - - - -	- 10°C to + 55°C
Storage Temperature	- - - - -	- 20°C to + 60°C
Charging Time	- - - - -	4 minutes
Relative Humidity	- - - - -	≤ RH95% non-condensing.
I.P. Protection Rating	- - - - -	IP42
Addressing Method	- - - - -	Soft addressing, Non-Volatile EEPROM.
Material	- - - - -	ABS
Dimensions	- - - - -	∅104mm x 33mm (Sensor head) ∅104mm x 48mm (Sensor head and UB-6-EV)
Mass	- - - - -	118g (Sensor head) 183g (Sensor head and UB-6-EV base)
EMC Conformance	- - - - -	EMC conformance to BSEN50130-4.
CPR Number	- - - - -	0832-CPR-F0247 & F0408
Standards / Certification	- - - - -	EN54-7 / LPCB 041
DoP Number	- - - - -	F0247 & F0408

All wiring must conform to the current edition of IEE Wiring regulations and BS5839 Part 1

All loop Cable Screens shall be connected together, but must be Isolated from Ground. Cable Screens shall be connected to Earth Ground within the Control Panel ONLY.



Base :
UB-4
UB-4-EV
UB-6-EV
STB-4SE-EV

