

TECHNICAL DATASHEET

Part Numbers and Product Order Codes:-

Part Number	-	-	-	-	-	-	EV-PS
Description	-	-	-	-	-	-	Analogue Addressable Optical Sensor with Sounder.

Computer Reference Number:

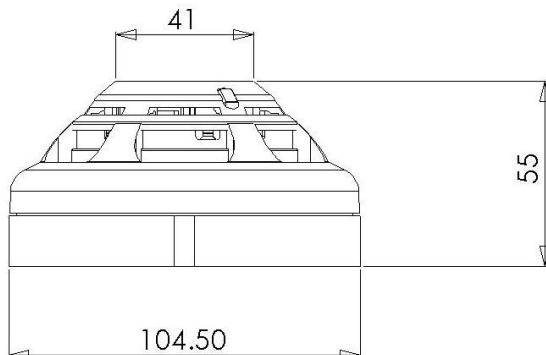
EV-PS
F20-82501

Technical Specifications:-

Sensor Method	-	-	-	-	-	-	Light Scatter
Sensor Element	-	-	-	-	-	-	1 x Light Emitting Diode
Sounder Type	-	-	-	-	-	-	Type A Indoor
Sounder Device	-	-	-	-	-	-	Piezo
Sounder Output	-	-	-	-	-	-	83 to 88 db @ 1 metre (A-weighted)
Sounder Tones	-	-	-	-	-	-	Standard two tone 750Hz/1000Hz 0.5/0.5sec Only.
Operating Voltage	-	-	-	-	-	-	20V d.c. to 38V d.c.
System Voltage	-	-	-	-	-	-	35V d.c.
Quiescent Current	-	-	-	-	-	-	200µA
Alarm Current	-	-	-	-	-	-	5mA (LED), 3.1mA (Sounder)
Current for external remote LED indicator	-	-	-	-	-	-	2mA
Power Consumption	-	-	-	-	-	-	150mW Max (Sounder)
Operating Temperature	-	-	-	-	-	-	- 10°C to + 55°C
Storage Temperature	-	-	-	-	-	-	- 25°C to + 70°C
Charging Time	-	-	-	-	-	-	1 minute
Relative Humidity	-	-	-	-	-	-	≤ RH95% non-condensing.
I.P. Protection Rating	-	-	-	-	-	-	IP42C
Addressing Method	-	-	-	-	-	-	Soft addressing, Non-Volatile EEPROM.
Material	-	-	-	-	-	-	FR-ABS – Flammability, UL94 V-2 (Min wall thickness)
Dimensions	-	-	-	-	-	-	Ø104mm x 40mm (Sensor head) Ø104mm x 55mm (Sensor head and UB Series Base)
Mass	-	-	-	-	-	-	145g (Sensor head) 200g (Sensor head and UB Series base)
EMC Conformance	-	-	-	-	-	-	EMC conformance to BSEN50130-4.
CE Conformity	-	-	-	-	-	-	EN54-7, EN54-3
CPR Number	-	-	-	-	-	-	2531-CPR-232.1710
DoP Number	-	-	-	-	-	-	1710

All wiring must conform to the current edition of IEE Wiring regulations and BS5839 Part 1
All loop Cable Screens shall be connected together, but must be Isolated from Ground. Cable Screens shall be connected to Earth Ground within the Control Panel ONLY.

EV-PS Dimensions



EV-PS Terminal connections

