



■ Description

Introduction

The **EVA-PY** is an attractively-styled, low profile, analog addressable, photoelectric smoke detector for use with the Nittan Control panel NFU-7000 series in analog fire alarm systems.

This analog addressable photoelectric smoke detector has a specific detector address to provide exact detector locations throughout the installation. This allows for constant monitoring of the detector sensitivity and reports the detectors condition to the fire alarm control panel.

Detector Models

The EVA-PY has a **new sophisticated smoke chamber** design and an **orange sensor LED** which can provide the same sensitive detection regardless of the type of smoke.

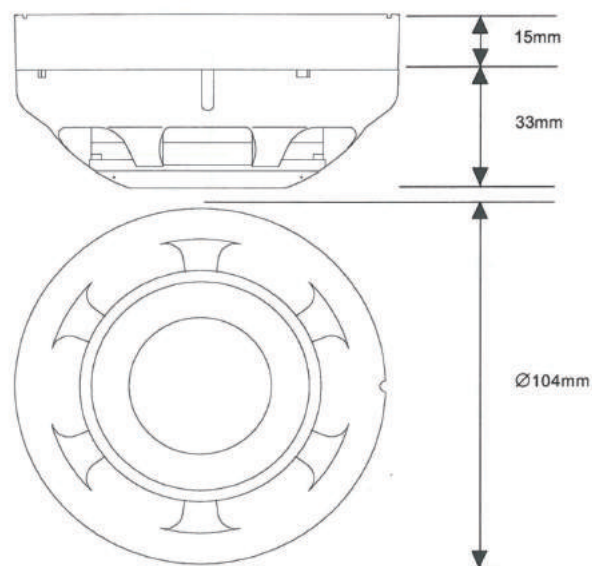
This detector has a chemically etched, **stainless steel insect screen**, therefore reducing the ingress of insects and airborne contaminants.

The EVA-PY has two terminals for connection onto the two wire loop. The remaining terminal provides a **switched current sink function** which operates when the detector goes into alarm condition, suitable for the operation of an auxiliary function such as a remote indicator. Terminal 3 (RIL) is limited to 2mA.

■ Features

- Responds well to both black and white smoke
- Low profile, stylish appearance
- Low monitoring current
- OMNIVIEW™ 360° LED
- Remote indicator output
- Locking mechanism to avoid unauthorized removal
- Supplied with protective dust cover
- Address settable from 001 to 254 by a dedicated programmer
- Automatic sensitivity compensation
- Adjustable sensitivity via control panel software
- Corresponds to auto-test function of NFU-7000 series control panel

Dimensions



■ Mounting Base Models

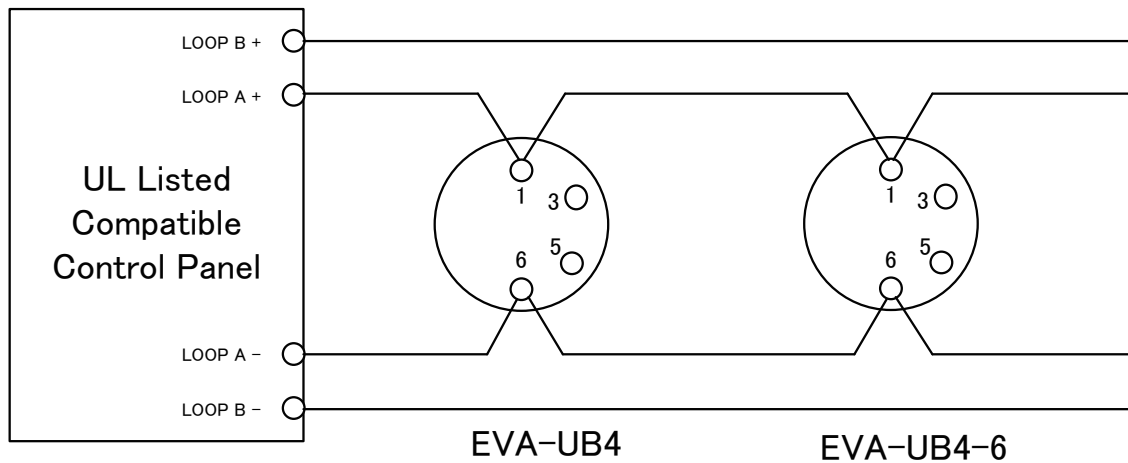
Model	Description	Instruction Manuals	Diameter	Number of Terminals
EVA-UB4	Standard mounting base	DW1401959 Rev.K1	104 mm (4 inch)	4
EVA-UB4-6*	Larger mounting base	DW1401959 Rev.K1	160 mm (6 inch)	4
EVA-S6 Base	Sounder mounting base	DW1401960 Rev.K1	160 mm (6 inch)	5
EVA-STB-RL	Relay mounting base	DW1401853 Rev.K1	104 mm (4 inch)	6
EVA-STB-SCI	Short circuit isolator base	DW1401852 Rev.K1	104 mm (4 inch)	4
STBA-ADP**	Adapter mounting plate	DW1402124 Rev.K1	160 mm (6 inch)	NONE

* The Model EVA-UB4-6 base is intended for applications where a 4 inch square or octagonal electrical junction box is required.

** The STBA-ADP Adapter Mounting Plate is intended for the EVA-STB-RL Relay Mounting Base and EVA-STB-SCI Short Circuit Isolator base for applications where a 4 inch square or octagonal electrical junction box is required.

Wiring

SLC Line impedance is 50Ω at maximum and the maximum length is 2km.
Use cable AWG12-20 for wiring.



Terminals

The EVA-PY detectors all have three terminal connections and the terminals are configured as follows:

Terminal	Description
1	SLC Positive
6	SLC Negative
3	To activate the EVA-STB-RL Relay Base

Note: Terminal 3 is used for the Relay Mounting Base EVA-STB-RL.

■ Specifications

Specifications	EVA-PY
Detector Element	LED : Peak wavelength 630 nm Photodiode : High-output, high-speed silicon photodiode
LED Visual Indicator	Stand-by - Flashing green LED Alarm - Solid red LED with flashing green
Operating Voltage	20 VDC to 38 VDC Peak
System Voltage	35 VDC
Stand-by Current	200 μ A
Alarm Current (with red LED)	5 mA
Sensitivity	0.69 %/Ft. to 2.86 %/Ft.
Operating Temperature	-10 °C to +55 °C (14 °F to 131 °F)
Storage Temperature	-20 °C to +60 °C (-4 °F to 140 °F)
Relative Humidity	\leq RH 95 % non-condensing
Addressing Method	Soft addressing, Non-Volatile EEPROM
Address	1 to 254 (decimal)
Maximum quantity per loop	254 units
Material	IDEMITSUKOSAN R2200
Dimensions	ϕ 104 mm x H 33 mm (Detector head only) ϕ 104 mm x H 48 mm (Detector head and EVA-UB4 Base)
Weight	105 g (Detector head only) 170 g (Detector head and EVA-UB4)
Standard	UL268

Distributed By

All specifications are subject to change without any notice.
For more information, contact with NITTAN.

NITTAN

54-5, 1-chome, Sasazuka,
Shibuya-ku, Tokyo151-8535, Japan
TEL:81-3-5333-7021 FAX:81-3-5333-8615