



### ■ Features

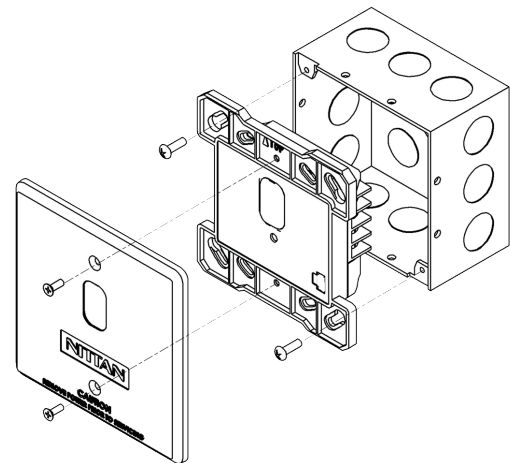
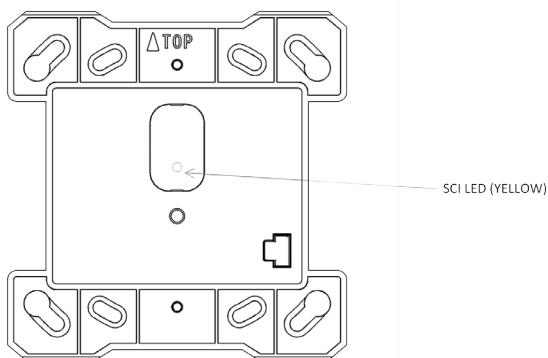
- Automatic switch that opens when the line voltage drops below 10 V
- Supplied with one yellow LED indicator
- Loop powerd and low standby current (100µA)
- Mounts in 4-inch square electrical box

### ■ Description

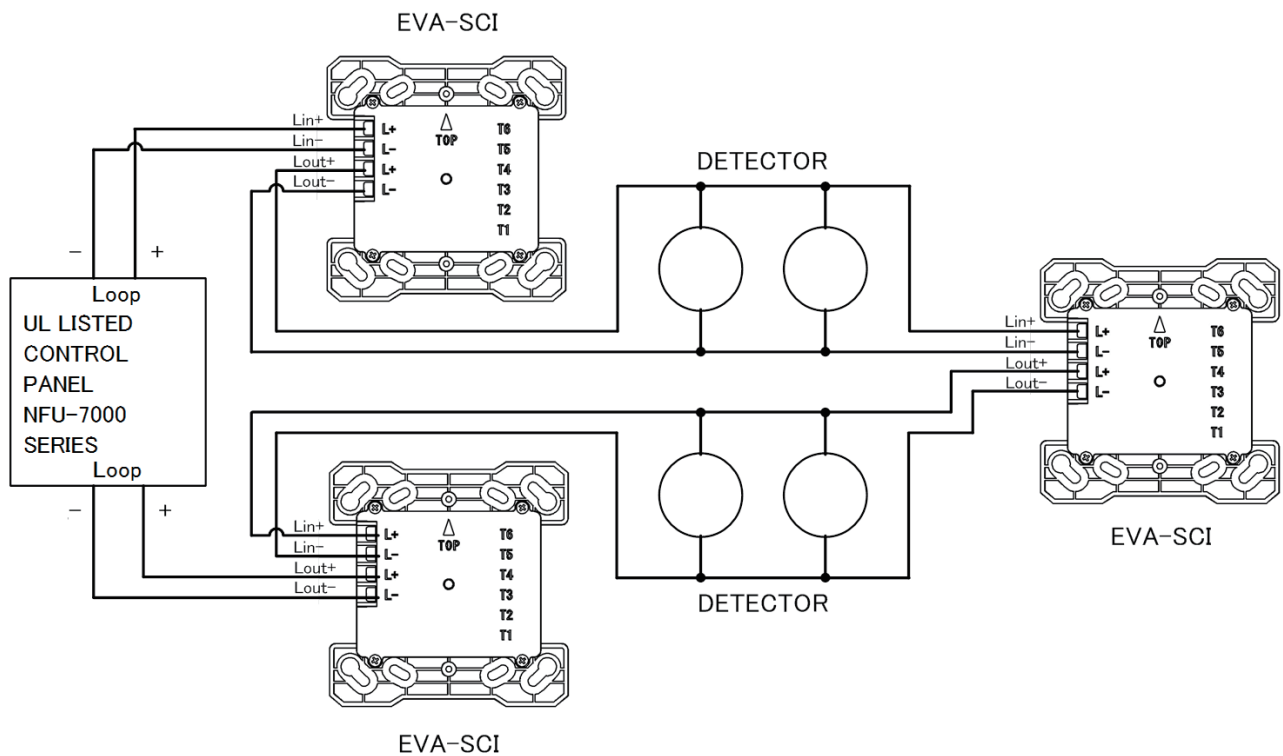
EVA-SCI Short Circuit Isolator is a short circuit isolator module that prevents an entire loop failure in the event of a short in the loop. If a short is detected the yellow LED indicator illuminates, and the short-circuited area is isolated automatically. Upon removal of the short condition, the module automatically connects the area to restore the entire loop to the normal operating status. This module is not addressable.

### ■ Mounting

This module can be mounted directly to 4-inch square electrical box.



## ■ Wiring



## ■ Specifications

Specifications	EVA-SCI
SLC Applied Voltage	Rated Range 20 to 38 VDC
SLC Current Consumption	Standby 100 $\mu$ A Activated 22 mA (SCI Isolation)
SLC Line Impedance	Up to 50 $\Omega$
SCI On Resistance	0.2 $\Omega$ (max)
SCI Fault Detection Threshold	10 V (min)
Visual Indicator (Status LED)	SCI LED (YELLOW)
Ambient Installation Temperature	0 °C to 49 °C (32 °F to 120 °F)
Storage Temperature	-20 °C to 60 °C (-4 °F to 140 °F)
Max Relative Humidity	Up to 93 % RH, non-condensing
Environment	Indoor dry use only
Terminal	Screw AWG12 to 22
Dimensions	H 124 mm x W 124 mm x D 34.5 mm (4.882" H x 4.882" W x 1.358" D) (Mount to a 4" square by 2 1/8" deep box)
Weight	Approximately 139 g
Conformity	UL864

Distributed By

All specifications are subject to change without any notice.  
For more information, contact with NITTAN.

**NITTAN**

54-5, 1-chome, Sasazuka,  
Shibuya-ku, Tokyo151-8535, Japan  
TEL:81-3-5333-7021 FAX:81-3-5333-8615