



■ Description

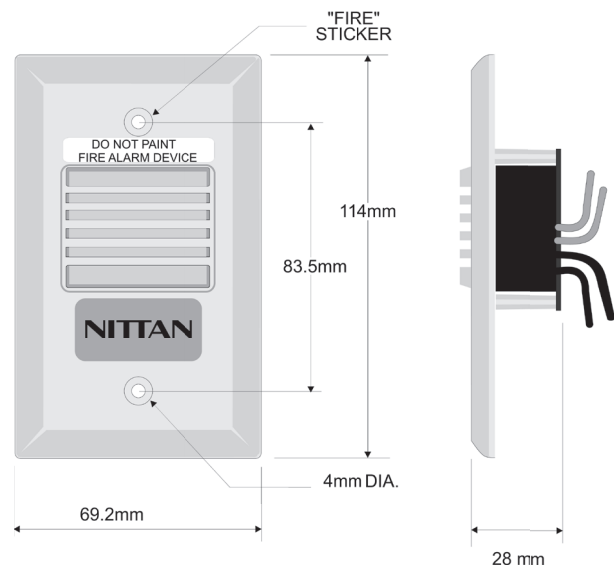
Nittan's EVCA-AP-MH mini horns are compact electronic alarm appliances that are ideal for alarm signalling in individual rooms, apartments, hotels and offices where attractive appearance and dependable performance are prime concerns. When activated, the EVCA-AP-MH mini-horns produce a high sound output of over 90 dBA at 10 feet with a minimum current draw of 15.5 milliamps at 24 VDC (unfiltered). The EVCA-AP-MH mini horns are designed as alert or alarm signal appliances for use with any conventional Fire Alarm Control panel.

All EVCA-AP-MH mini horns are designed for easy installation with convenient mounting to standard single gang boxes and in-out wire leads for fast connection. The front face plates are ruggedly constructed of high impact thermoplastic and are available in fire alarm red or off-white to blend with any room decor.

■ Features

- High sound output for enhanced audibility (over 90 dBA at 10 feet) @ 24VDC
- 24 VDC models with wide listed voltage range, filtered DC
- Polarized inputs for compatibility with standard reverse polarity supervision of circuit wiring by an alarm panel
- Mounts into standard single gang box
- Flush or surface mounting options
- Compatible with sensitive detection and communication circuits
- Available in red and off-white

■ Dimensions

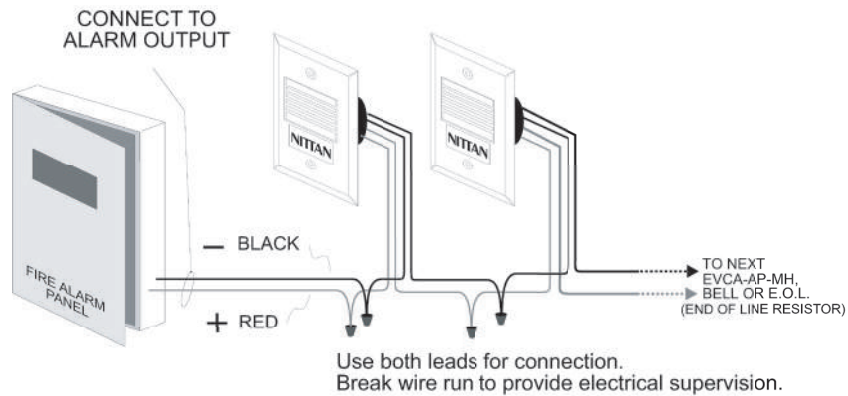


■ Specifications

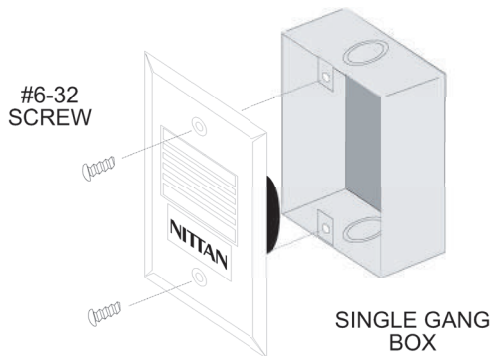
Specifications	EVCA-AP-MH			
Rated Voltage	10-28 VDC			
Operating Voltage	10V	12V	24V	28V
Current	5mA	6mA	17 mA	27mA
Sound Level	85dB	87dB	91dB	95dB
Operating Temperature	-4°F to 140°F (-20°C to 60°C)			
Weight	63 g			
Colour	Red / White			
Plate	A.B.S.			

Note: Sound level in an indoor installation may vary depending upon the space surroundings.

■ Typical Wiring Diagrams



■ Installation Instructions



■ Ordering Information

Model Number	Description
EVCA-AP-MH-R	Wall Mount Piezoelectric mini Horn Red
EVCA-AP-MH-W	Wall Mount Piezoelectric mini Horn White

Distributed By

All specifications are subject to change without any notice.
For more information, contact with NITTAN.

NITTAN

54-5, 1-chome, Sasazuka,
Shibuya-ku, Tokyo 151-8535, Japan
TEL: 81-3-5333-7021 FAX: 81-3-5333-8615