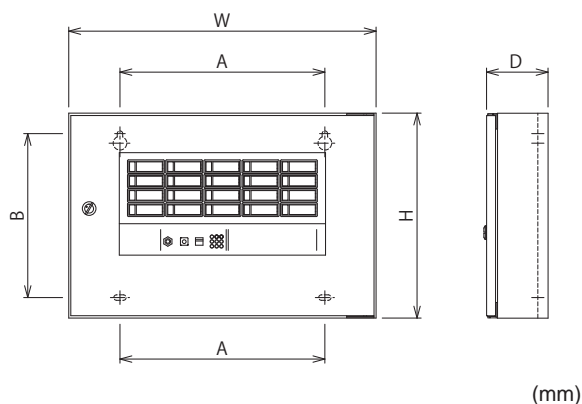




Description

The PSH series provides a line of products for annunciation of conventional fire alarm control panels. The annunciators are equipped with arrays of LEDs to indicate zone status and a piezoelectric buzzer for alarm. The color of enclosure matches the style and appearance of nittan's conventional control panel.

Dimensions

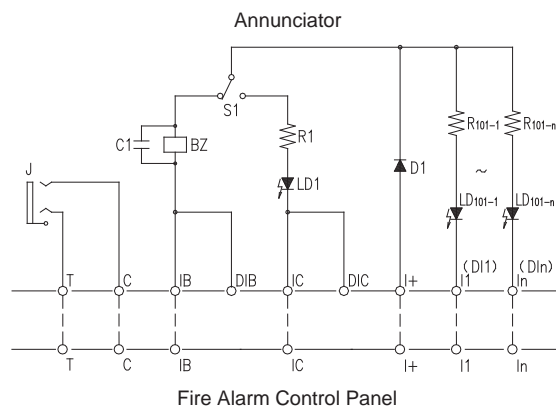


Zone	W	H	D	A	B	Weight
5, 10, 20	450	300	90	300	240	6 kg
30, 40		400			340	7.5 kg
50, 60		540			480	9.5 kg
70, 80		650			590	11.0 kg
90, 100		760			700	12.5 kg

Features

- Conventional annunciator panel
- Available with 5 to 100 LED zone indicators
- Warning buzzer with silence switch
- Switch operation indicator
- Telephone jack for an optional hand set
- 24 VDC powered

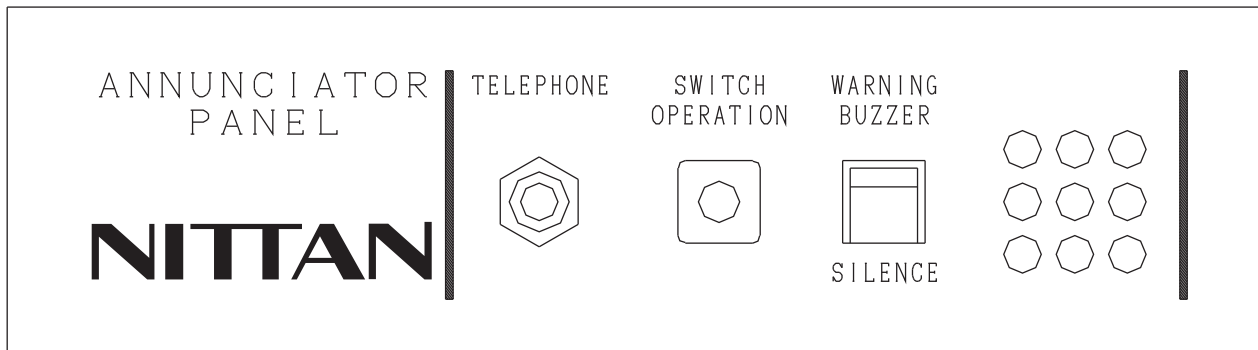
Circuit Diagram



Contact Symbol	Description
T	Telephone
C	Telephone Common
IB	Indication Buzzer
IC	Common (-)
I+	24VDC (+)
I1-In	Zone Indication
DIB	Not Used
DIC	Not Used

Circuit Symbol	Description
R	Resistor
C1	Condenser
D1	Diode
LD1	Switch Operation Indicator
LD101-1 - n	Zone Indicator
S1	Warning Buzzer Silence Switch
BZ	Warning Buzzer
J	Telephone Jack

■ Panel Operation



Normal Condition

The Switch Operation indicator turns off.

AC Power Failure

The annunciator operates by power supplied from a standby battery on a fire alarm control panel.

Alarm Condition

Corresponding zone indicators illuminate continuously and the warning buzzer is turned on.

Warning Buzzer Silence Switch

When shifting the Warning Buzzer Silence switch downward, the warning buzzer is silenced.

At the same time, the Switch Operation indicator illuminates continuously in red, and indicates that the switch is not in the normal position.

Reset Operation

The annunciator is reset as well by a reset operation of the fire alarm control panel

Switch Operation Indicator

When the Warning Buzzer Silence switch is not in the normal position, the Switch Operation indicator illuminates continuously in red. Shift the switch upward in normal operation.

Telephone communication

When a telephone plug is inserted into the Telephone jack on the annunciator, telephone communication between the annunciator and the fire alarm control panel is established.

■ Specifications

Specifications	PSH-nL
Rated Voltage	24VDC
Zone Indicator	Red LED Illuminates in alarm condition Flashes in open-circuit trouble condition
Switch Operation Indicator	Red LED illuminates while Silence switch operated.
Warning Buzzer Silence Switch	Silences the warning buzzer
Audible Device	Piezoelectric buzzer, 24VDC, 25mA
Compatible Control Panel	P-type Class 1: 1PE, PF, PK, PM, PN, PQ, PS, PV Class 2: 2PD *Telephone is not available.
Main Material	SPCC t1.2
Body Color	Munsell 2.5Y 9/1 Semi Gloss
Weight	6.0 kg - 12.5 kg

Distributed By

All specifications are subject to change without any notice.
For more information, contact with NITTAN.

NITTAN

54-5, 1-chome, Sasazuka,
Shibuya-ku, Tokyo151-8535, Japan
TEL:81-3-5333-7021 FAX:81-3-5333-8615