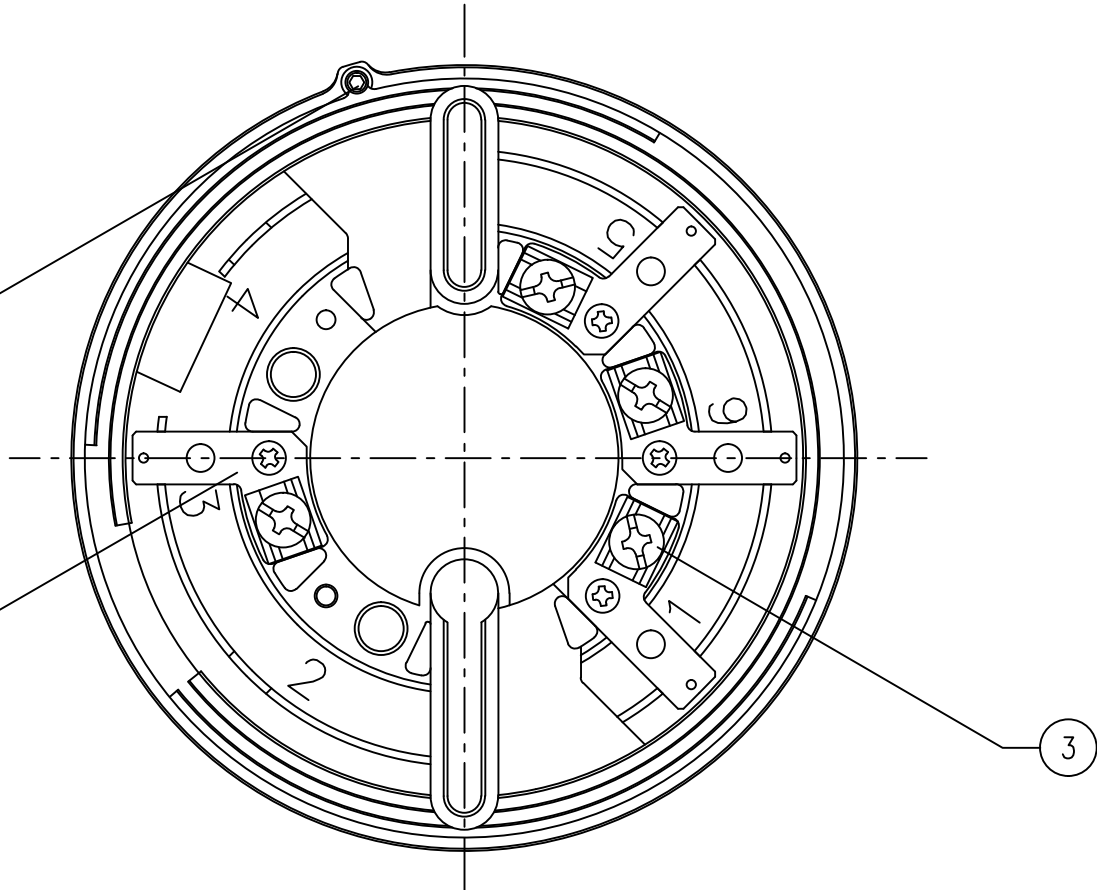


5

1



4

2

3

### Index

No.	Description	Remarks	Q'ty
1.	Main Body	Flame Retardant Resin	1
2.	Terminal Plate		4
3.	Terminal Screw	M4	4
4.	Locking Screw	Hexagon setscrew M3	1
5.	Label		1

### Specifications

Wire Size	: AWG 12-20
Applicable Standard	: UL268, UL521
UL Ambient Installation Temperature	: 0°C (32°F) to +65.6°C (150°F)
Operating Temperature	: -10°C (14°F) to +83°C (181.4°F)
Storage Temperature	: -20°C (-4°F) to +60°C (140°F)
Maximum Relative Humidity Environment	: Up to 95%RH, non-condensing : Indoor dry use only

<b>NITAN COMPANY, LIMITED</b>	
SCALE	1 / 1 DATE Dec. 01, 2016
MODEL NO.	EVA-UB4
TITLE Detector Mounting Base	
DRAWING NO.	N0100005 Dim: mm