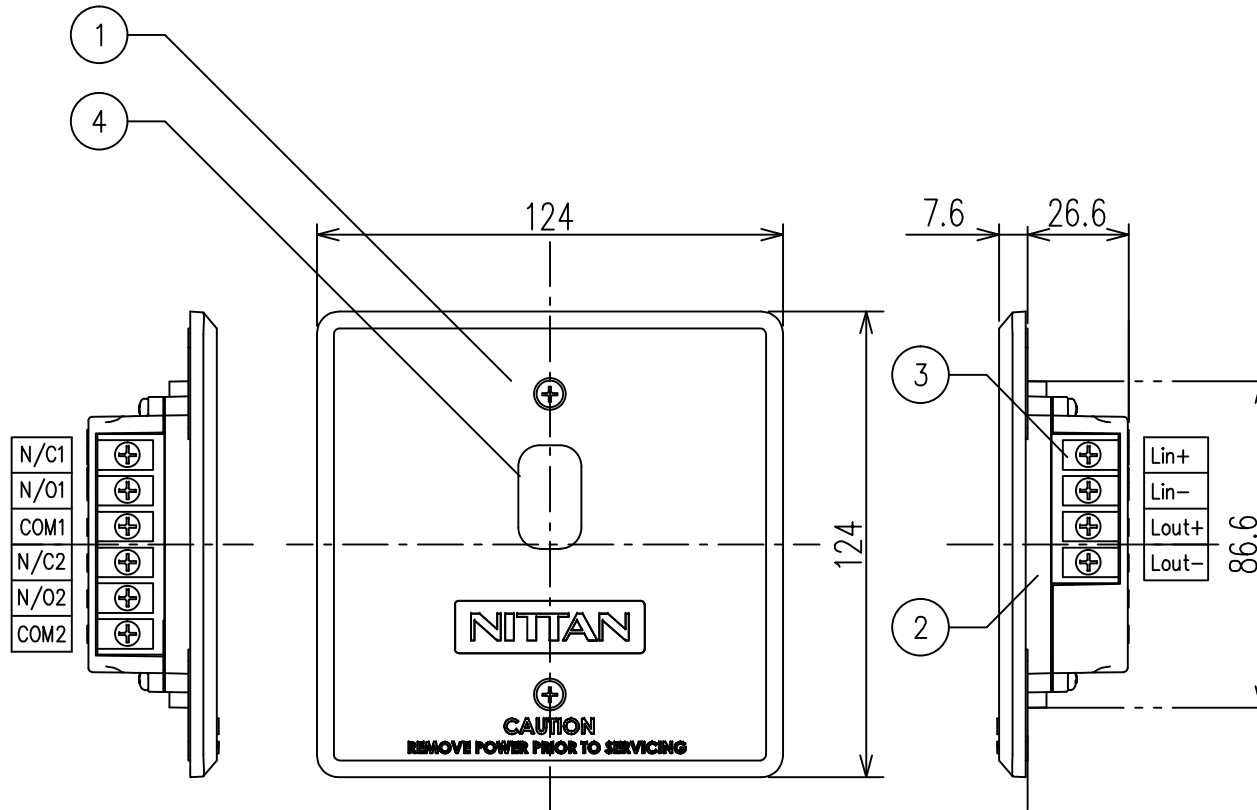


Index

No.	Description	Remarks	Q'ty
1.	Outer Cover	Flame Retardant Resin	1
2.	Main Unit		1
3.	Terminal Screws	M3	10
4.	LED Indicators	Red/Green/Yellow	3

Specifications

SLC Applied Voltage	: Rated range 20 to 38 VDC
SLC Current Consumption	: Standby 0.6mA Activated 3.3mA
Relay (Programmable)	: Switching capacity 30VDC, 2A
LED Visual Indicator	: Polling LED (Green) Output LED (Red) SCI LED (Yellow)
Applicable Electrical Box	: 4 inch Square box
Applicable Standard	: UL864
UL Ambient Installation Temperature	: 0°C (32°F) to +49°C (120°F)
Operating Temperature	: -10°C (14°F) to +55°C (131°F)
Storage Temperature	: -20°C (-4°F) to +60°C (140°F)
Maximum Relative Humidity	: Up to 93%RH, non-condensing
Environment	: Indoor dry use only



NITAN COMPANY, LIMITED			
SCALE	1 / 2	DATE	Dec. 01, 2016
MODEL NO.	EVA-DOP-SCI		
TITLE	Dual Output Module with SCI		
DRAWING NO.	N0100016	Dim:	mm