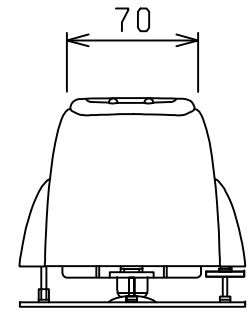
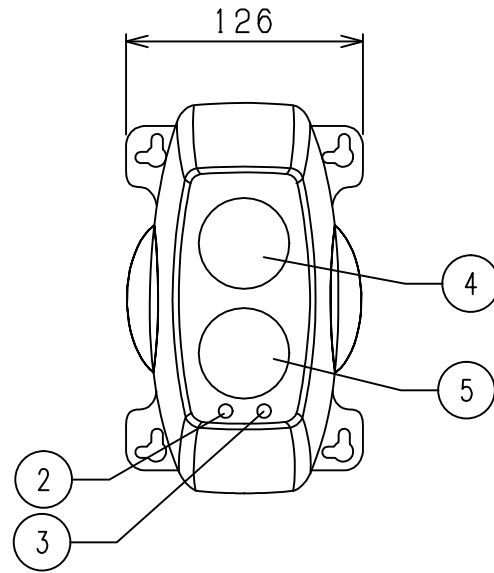
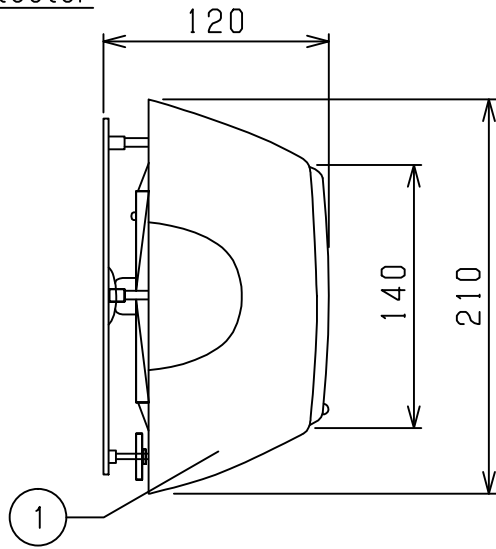
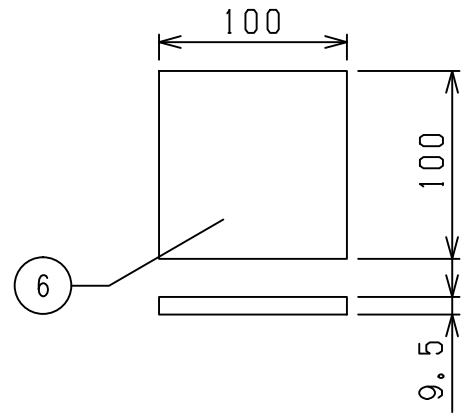


# Beam Detector



# Prism (Accessory)



# Index

No.	Description	Remarks	Q'ty
1.	Housing	Flame Retardant ABS, Gray	1
2.	Alignment/Status Indication LED	Red	1
3.	Alignment/Status Indication LED	Amber	1
4.	Receiver Optics		1
5.	Transmitter Optics		1
6.	Prism		4

# Specifications

Operating Range	: 50 to 100 m
Operating Voltage Range	: 10.2 VDC to 30 VDC
Quiescent Current	: 4 mA at 24 VDC
Alarm Current	: 15mA at 24 VDC
Applicable Standard	: UL268
Operating Temperature	: -20°C to +55°C (-4 °F to +131°F)
UL Ambient Installation Temperature	: 0°C to +38°C (32 °F to +100°F)
Maximum Relative Humidity	: Up to 93%RH, non-condensing
Environment	: Indoor dry use only

<b>NITAN COMPANY, LIMITED</b>		
SCALE	1/4	DATE Dec. 01, 2016
MODEL NO.	FIRERAY 100RU	
TITLE	Beam Detector 100m	
DRAWING NO.	N0300002	Dim: mm