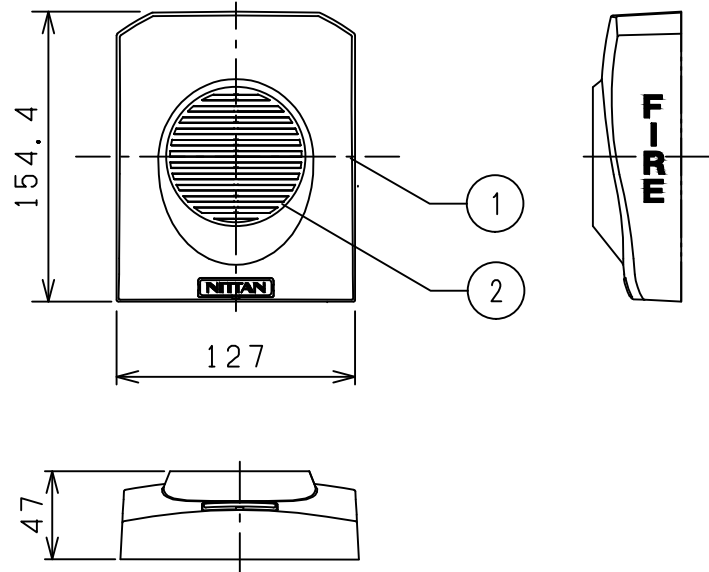
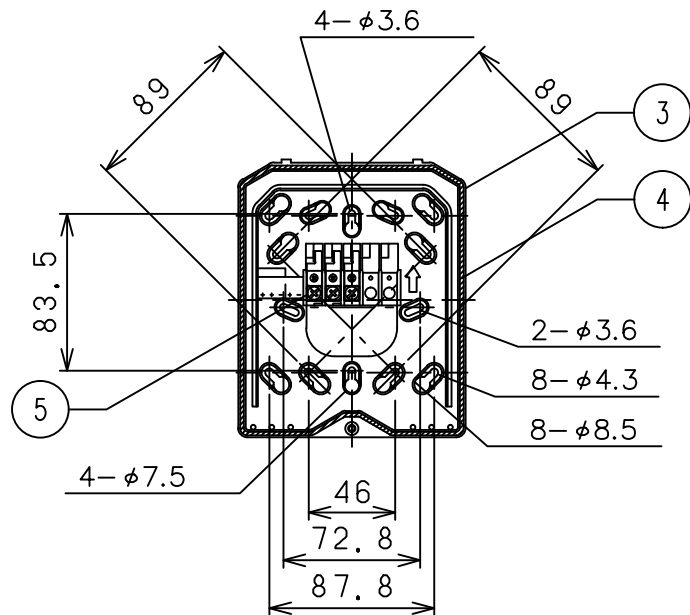


# Horn



# Base



## Index

No.	Description	Remarks	Q'ty
1.	Jacket	ABS, Red	1
2.	Sound Outlet		1
3.	Base	PBT, Gray	1
4.	Gasket	CR	1
5.	Terminal Screws		3

## Specifications

Voltage	:	Regulated 12V DC/FWR Regulated 24V DC/FWR
Operating Voltage Range	:	8 - 17.5V (12V DC/FWR) 16 - 33V (24V DC/FWR)
Sound Output	Horn :	74dBA min. at 10ft per UL
	Chime :	55dBA min. at 10ft per UL
Max. Operating Current	:	12V - Horn - 24V (Variable)
	DC :	153mA rms, 92mA rms
	FWR :	125mA rms, 148mA rms
Environment	:	Indoor / Outdoor
IP Rate	:	IP35 (when equipped with Outdoor Back Box)
Operating Temperature	:	-40°C to +66°C
Applicable Standard	:	UL464

NITTAN COMPANY, LIMITED	
SCALE	1 / 4 DATE Dec. 01, 2016
MODEL NO.	EVCA-AP-H
TITLE	Wall Mount Horn
DRAWING NO.	N0300005 Dim: mm