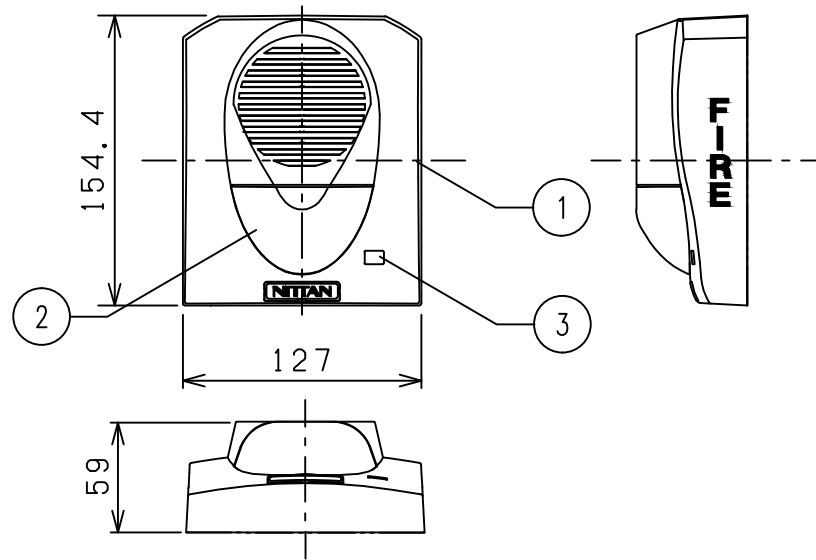
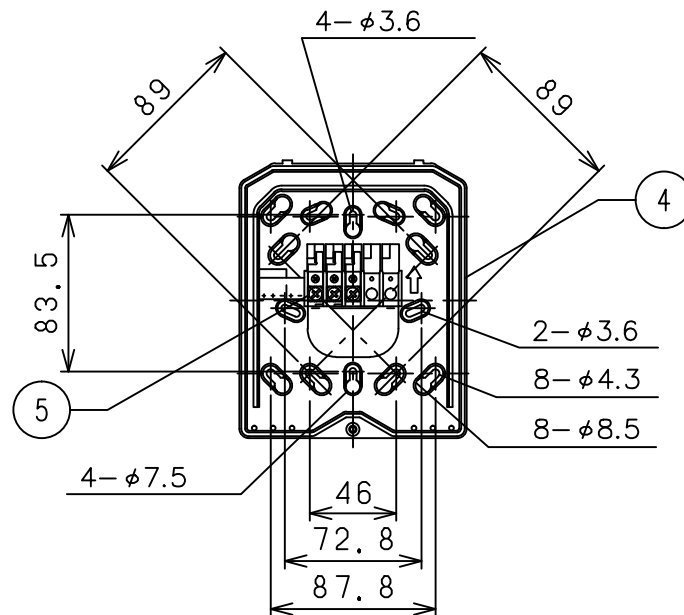


Strobe



Base



Index

No.	Description	Remarks	Q'ty
1.	Jacket	ABS, Red	1
2.	Clear Lens		1
3.	Light Intensity Selector		1
4.	Base	PBT, Gray	1
5.	Terminal Screws		3

Specifications

Voltage	:	Regulated 12V DC/FWR	
		Regulated 24V DC/FWR	
Operating Voltage Range	:	8 - 17.5V (12V DC/FWR)	
		16 - 33V (24V DC/FWR)	
Luminous Intensity (Selectable)			
	at 12V :	15, 35, 60(15/75)cd	
	at 24V :	15, 35, 60(15/75), 75, 95, 110cd	
Max. Operating Current		12V - Strobe - 24V (Variable)	
	DC :	171mA rms, 225mA rms	
	FWR :	202mA rms, 284mA rms	
Flash Rate	:	1 Hz	
Application	:	Indoor	
Operating Temperature	:	0°C to 49°C	
Applicable Standard	:	UL1971	

NITAN COMPANY, LIMITED			
SCALE	1 / 4	DATE	Dec. 01, 2016
MODEL NO.	EVCA-AP-S		
TITLE	Wall Mount Strobe		
DRAWING NO.	N0300006	Dim:	mm